



www.stucchi.net



ST-Action C5/C10

Wheeled unit for suction and filtration of welding fumes.

TPOLOGY	mobile extractors
USAGE	welding fumes
DIMENSIONS	777 x 578 x 720 (2411 with arm)
WEIGHT	120 Kg

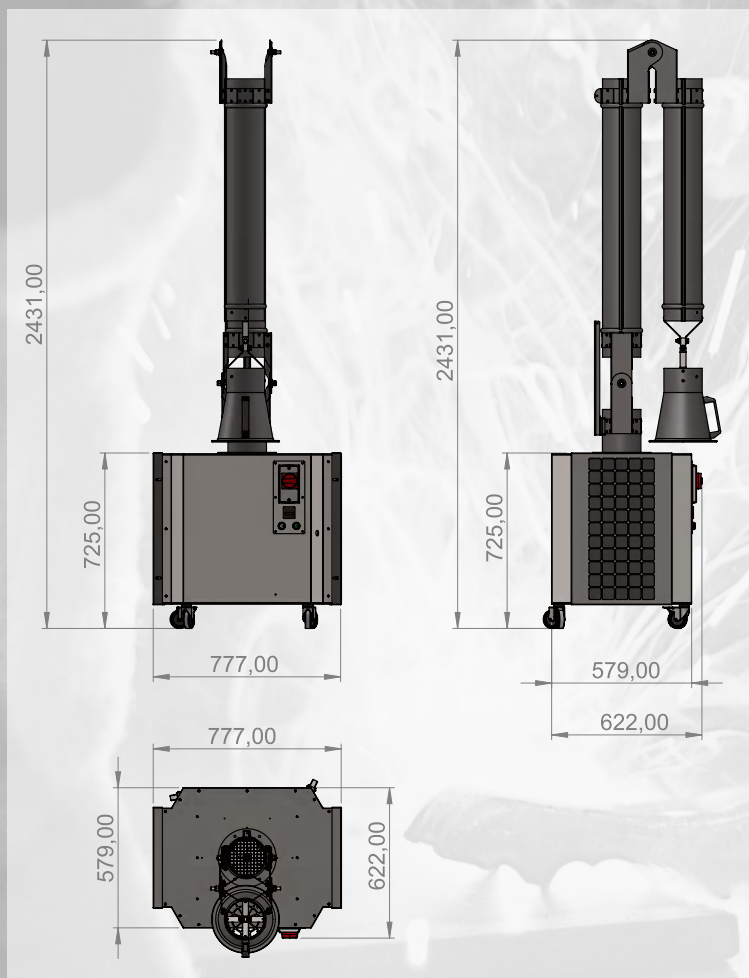


Stucchi 1950

ST-Action C5/C10

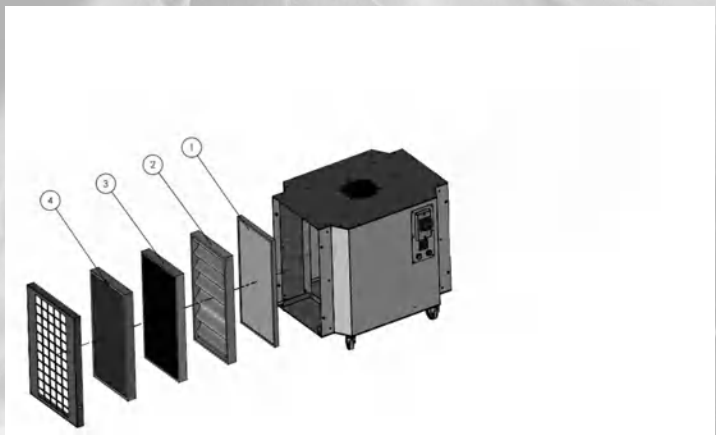
TECHNICAL DATA

MOTOR POWER	1.5 Hp (1.1 kW)
RPM	2800
VOLTAGE	400 v / 50 Hz / 3 Ph
CURRENT DRAW	2,3 Amp
FLOW RATE	1450 m³/h
ARM	Ø 150 mm - L. 3 m
NOISE	73 dB(A)
POWER	3 Ph + N + T

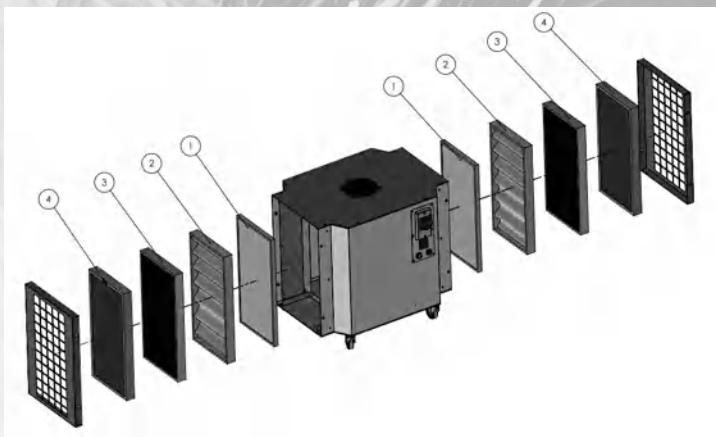


ST-Action C5/C10

FILTER DATA



	ST-Action C5	Ref. Drawing	Nr. Parts	Code
Prefilter 1	Steel mesh filter (G2)	1	1	PRE-MA-03
Prefilter 2	Corrugated filter (G4)	2	1	PRE-G4-02
Filter	Pleated filter (F9)	3	1	FP-001-F9
Filter CA (5 kg)	Activated carbon filter	4	1	FCA-004



	ST-Action C10	Ref. Drawing	Nr. Parts	Code
Prefilter 1	Steel mesh filter (G2)	1	2	PRE-MA-03
Prefilter 2	Corrugated filter (G4)	2	2	PRE-G4-02
Filter	Pleated filter (F9)	3	2	FP-001-F9
Filter CA (10 kg)	Activated carbon filter	4	2	FCA-004